

TSC Ferrite International

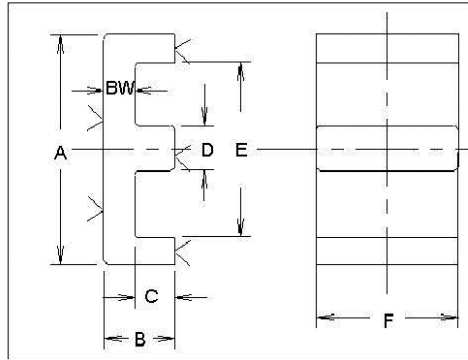


FIGURE 1

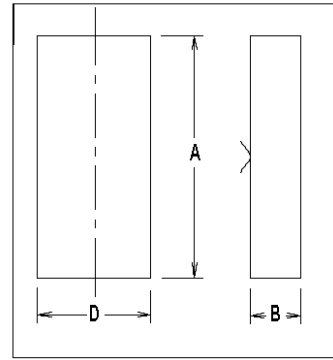


FIGURE 2

TSC FERRITE INTERNATIONAL PLANAR E CORE DIMENSIONS

PART #	Figure	A		B		C		D		E		F	
		in	mm	in	mm	in	mm	in	mm	in	mm	in	mm
14-02-05 I	#2	0.551 +-0.011	14.00 +-0.28	0.059 +-0.005	1.500 +-0.13			0.197 +-0.004	5.000 +-0.10				
14-04-05 E	#1	0.551 +-0.011	14.00 +-0.28	0.138 +-0.005	3.500 +-0.13	0.079 +-0.006	2.000 +-0.15	0.118 +-0.002	3.000 +-0.05	0.433 +-0.009	11.000 +-0.23	0.197 +-0.004	5.000 +-0.10
18-02-10 I	#2	0.709 +-0.014	18.00 +-0.36	0.079 +-0.005	2.000 +-0.13			0.394 +-0.008	10.000 +-0.20				
18-04-10 E	#1	0.709 +-0.014	18.00 +-0.36	0.157 +-0.005	3.990 +-0.13	0.078 +-0.007	1.980 +-0.18	0.157 +-0.003	3.990 +-0.07	0.551 +-0.011	14.000 +-0.28	0.394 +-0.008	10.000 +-0.20
22-03-17 I	#2	0.850 +-0.017	21.59 +-0.43	0.098 +-0.005	2.490 +-0.13			0.625 +-0.013	15.880 +-0.33				
22-06-17 E	#1	0.850 +-0.017	21.59 +-0.43	0.225 +-0.005	5.720 +-0.13	0.130 +-0.007	3.300 +-0.18	0.200 +-0.004	5.080 +-0.10	0.650 +-0.013	16.510 +-0.33	0.625 +-0.013	15.880 +-0.33
32-03-20 I	#2	1.252 +-0.025	31.80 +-0.64	0.126 +-0.005	3.200 +-0.13			0.800 +-0.016	20.320 +-0.41				
32-06-20 E	#1	1.252 +-0.025	31.80 +-0.64	0.250 +-0.005	6.350 +-0.13	0.125 +-0.008	3.180 +-0.20	0.250 +-0.005	6.350 +-0.13	1.000 +-0.020	25.400 +-0.51	0.800 +-0.016	20.320 +-0.41

PART #	TSC FERRITE INTERNATIONAL LP CORE EFFECTIVE CORE SET PARAMETERS						INDUCTANCE INDEX		
	MAGNETIC PATH LENGTH	EFFECTIVE CORE AREA	EFFECTIVE CORE VOLUME	WINDOW AREA	POWER HANDLING CAPABILITY INDEX	CORE SET WEIGHT	AL nH/N ²		
	Le cm	Ae cm ²	Ve cm ³	Wa cm ²	WaAe cm ⁴	GRAMS	ASTM Material Type		
							ASTM P7099 ASTM P5099	ASTM P7070	ASTM P8040 ASTM F3000 P5025-100
14-02-05 I	1.672	0.15	0.251	0.08	0.012	1.304	TSF-BOOST TSF-7099 TSF-5099 +25%		ASTM P8040 ASTM F3000 P5025-100 Flat Line +25%
14-04-05 E	2.074	0.15	0.311	0.161	0.024	1.595	TSF-7099 +25%	TSF-7070 +25%	TSF-8040 TSF-50ALL Flat Line +25%
18-02-10 I	2.026	0.401	0.813	0.099	0.04	4.26	3,100	3,445	6,740
18-04-10 E	2.423	0.401	0.972	0.198	0.08	5.026	2,590	2,880	5,580
22-03-17 I	2.587	0.789	2.042	0.189	0.149	10.688	5,000	5,555	10,510
22-06-17 E	3.24	0.787	2.549	0.377	0.297	13.134	3,980	4,425	8,330
32-03-20 I	3.541	1.295	4.588	0.302	0.392	23.872	5,310	5,900	12,640
32-06-20 E	4.174	1.292	5.395	0.605	0.782	27.766	4,495	4,995	10,670