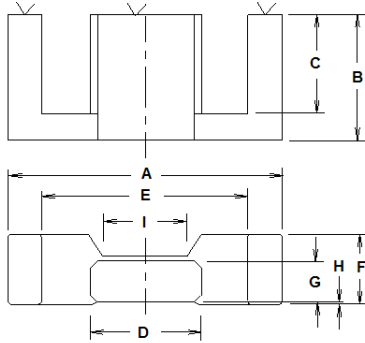


TSC Ferrite International



TSC FERRITE INTERNATIONAL EFD CORE DIMENSIONS

	PART #	A		B		C		D		E		F		G	
		in	mm	in	mm	in	mm	in	mm	in	mm	in	mm	in	mm
EFD15	15-08-05	0.591 ±0.012	15.00 ±0.30	0.292 ±0.005	7.42 ±0.13	0.217 ±0.007	5.50 ±0.17	0.209 ±0.004	5.30 ±0.11	0.433 ±0.009	11.00 ±0.22	0.182 ±0.004	4.62 ±0.09	0.093 ±0.002	2.36 ±0.05
EFD20	20-10-07	0.787 ±0.016	20.00 ±0.40	0.394 ±0.005	10.00 ±0.13	0.303 ±0.007	7.70 ±0.17	0.350 ±0.007	8.90 ±0.18	0.606 ±0.012	15.40 ±0.31	0.262 ±0.005	6.65 ±0.13	0.142 ±0.003	3.60 ±0.07
EFD25	25-13-09	0.984 ±0.020	25.00 ±0.50	0.492 ±0.005	12.50 ±0.13	0.366 ±0.008	9.30 ±0.19	0.449 ±0.009	11.40 ±0.23	0.736 ±0.015	18.70 ±0.37	0.358 ±0.007	9.10 ±0.18	0.205 ±0.004	5.20 ±0.10
EFD30	30-15-09	1.181 ±0.024	30.00 ±0.60	0.590 ±0.005	15.00 ±0.13	0.441 ±0.008	11.20 ±0.20	0.575 ±0.012	14.60 ±0.29	0.882 ±0.018	22.40 ±0.45	0.358 ±0.007	9.10 ±0.18	0.193 ±0.004	4.90 ±0.10

TSC FERRITE INTERNATIONAL EFD CORE EFFECTIVE CORE SET PARAMETERS							INDUCTANCE INDEX				
							AL nH/N ²				
PART #	MAGNETIC PATH LENGTH Le cm	EFFECTIVE CORE AREA Ae cm ²	EFFECTIVE CORE VOLUME Ve cm ³	WINDOW AREA Wa cm ²	POWER HANDLING CAPABILITY INDEX WaAe cm ⁴	CORE SET WEIGHT GRAMS	ASTM Material Type				
							ASTM P7099	ASTM P5099	ASTM P7070	ASTM P8040 ASTM F3000 P5025-100	ASTM F5000
							TSC Ferrite Material Grade				
							TSF-BOOST TSF-7099 TSF-5099 +/-25%	TSF-7070 +/-20%	TSF-8040 TSF-50ALL Flat Line +/-25%	TSF-5000 +/-30%	TSF-010K +/-30%
15-08-05	3.40	0.15	0.51	0.31	0.05	2.8	700	1,065	1,345	1,520	2,000
20-10-07	4.70	0.31	1.46	0.50	0.16	7.0	1,330	1,740	2,202	2,850	3,000
25-13-09	5.70	0.58	3.31	0.68	0.39	16.1	2,480	2,755	3,486		
30-15-09	6.80	0.69	4.70	0.87	0.60	24.0	2,470	2,745	3,475		