

UPDATING

UPDATING

UPDATING

UPDATING

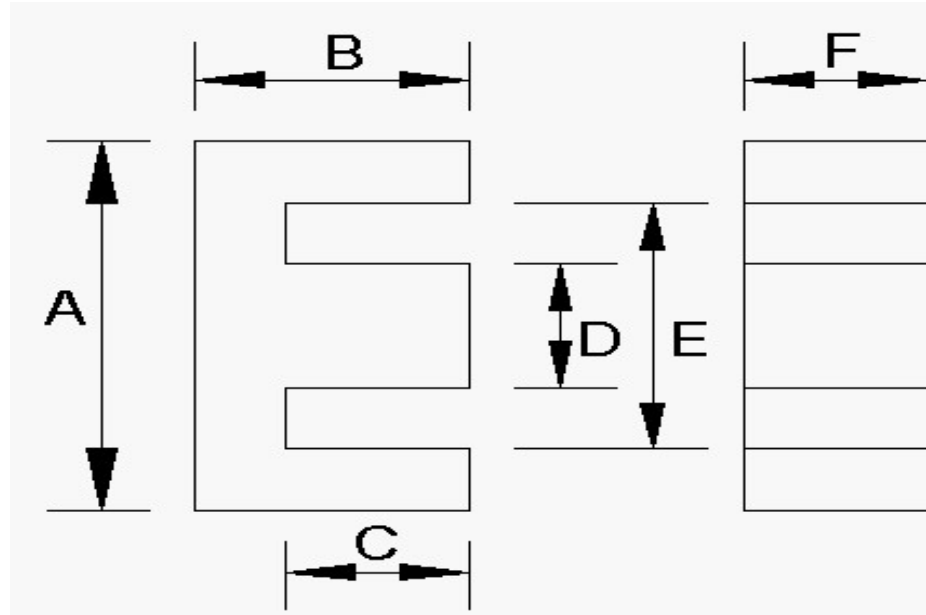
UPDATING

UPDATING

Finishing Spec Core

Catalog No. **7099-16-07-05-0003**
160705 E

Picture



GRIND SPECS	B	C	BW	GRIND BACKWALL	GRIND MATING SURFACE	GAP DEPTH per pc. (inches)	AL VALUE nH/T^2	L CONTROL LIMIT mH
	inches	inches	inches					
Maximum	0.2880	0.2090					106.0	0.04120
Nominal	0.2830	0.2040		NO	YES	0.0114	100.0	0.04000
Minimum	0.2780	0.1990					94.0	0.03880

Inductance (AL) Test Conditions mate with: **7099-16-07-05-0000**

Critical Spec. Al or Mech.	Tolerance	1 or 2 core GAP	Coil #	# Turns	Test Frequency	Test Voltage	Test Flux Density
					kHz	Vrms	Gauss
AL	6%	ONE	784	20	10	0.010	5

Dimensions:	A	D	E	F	G	H	J	COLOR CODE
	inches	inches	inches	inches	inches	inches	inches	
Maximum	0.642	0.160	0.470	0.193				
Nominal	0.630	0.157	0.461	0.189				
Minimum	0.618	0.154	0.452	0.185				