

UPDATING

UPDATING

UPDATING

UPDATING

UPDATING

UPDATING

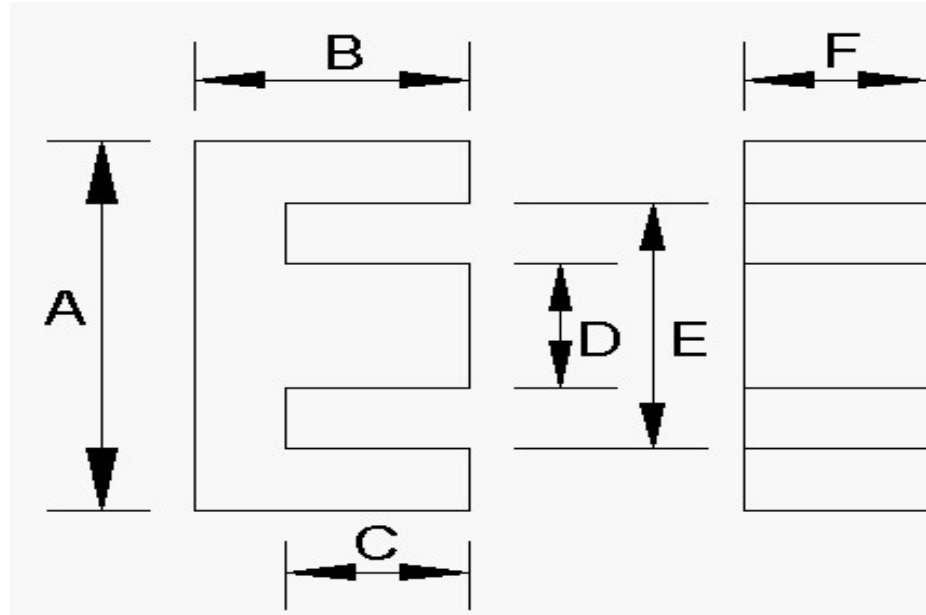
Finishing Spec Core

Catalog No. **7070-25-10-06-0059**

251006

E

Picture



GRIND SPECS	B	C	BW	GRIND BACKWALL	GRIND MATING SURFACE	GAP DEPTH per pc. (inches)	AL VALUE nH/T^2	L CONTROL LIMIT mH
	inches	inches	inches					
Maximum	0.3850	0.2650				0.0107	314.7	0.12093
Nominal	0.3800	0.2600		YES	YES	0.0100	290.0	0.11600
Minimum	0.3750	0.2550				0.0093	265.4	0.11107

Inductance (AL) Test Conditions mate with: **7070 25-10-06-0000**

Critical Spec. Al or Mech.	Tolerance	1 or 2 core GAP	Coil #	# Turns	Test Frequency	Test Voltage	Test Flux Density
					kHz	Vrms	Gauss
AL	9%	ONE	257	20	100	0.180	5

Dimensions:	A	D	E	F	G	H	J	COLOR CODE
	inches	inches	inches	inches	inches	inches	inches	
Maximum	1.020	0.255	0.772	0.255				
Nominal	1.000	0.250	0.757	0.250				0
Minimum	0.980	0.245	0.742	0.245				