

UPDATING

UPDATING

UPDATING

UPDATING

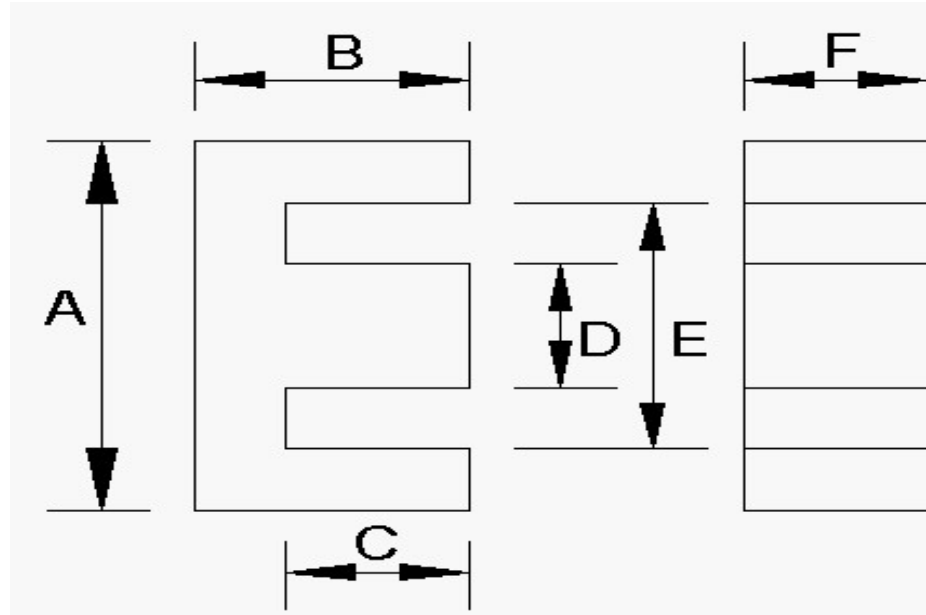
UPDATING

UPDATING

Finishing Spec Core

Catalog No. **7070-20-10-05-0007**
201005 E

Picture



GRIND SPECS	B	C	BW	GRIND BACKWALL	GRIND MATING SURFACE	GAP DEPTH per pc. (inches)	AL VALUE	L CONTROL LIMIT
	inches	inches	inches				nH/T^2	mH
Maximum	0.3970	0.2880					78.0	0.76500
Nominal	0.3900	0.2830		NO	YES	0.0156	75.0	0.75000
Minimum	0.3830	0.2780					72.0	0.73500

Inductance (AL) Test Conditions mate with: **0**

Critical Spec. Al or Mech.	Tolerance	1 or 2 core GAP	Coil #	# Turns	Test Frequency	Test Voltage	Test Flux Density
					kHz	Vrms	Gauss
AL	4%	TWO	385	100	10	0.070	5

Dimensions:	A	D	E	F	G	H	J	COLOR CODE
	inches	inches	inches	inches	inches	inches	inches	
Maximum	0.803	0.229	0.577	0.219				
Nominal	0.787	0.224	0.566	0.214				0
Minimum	0.771	0.219	0.555	0.209				